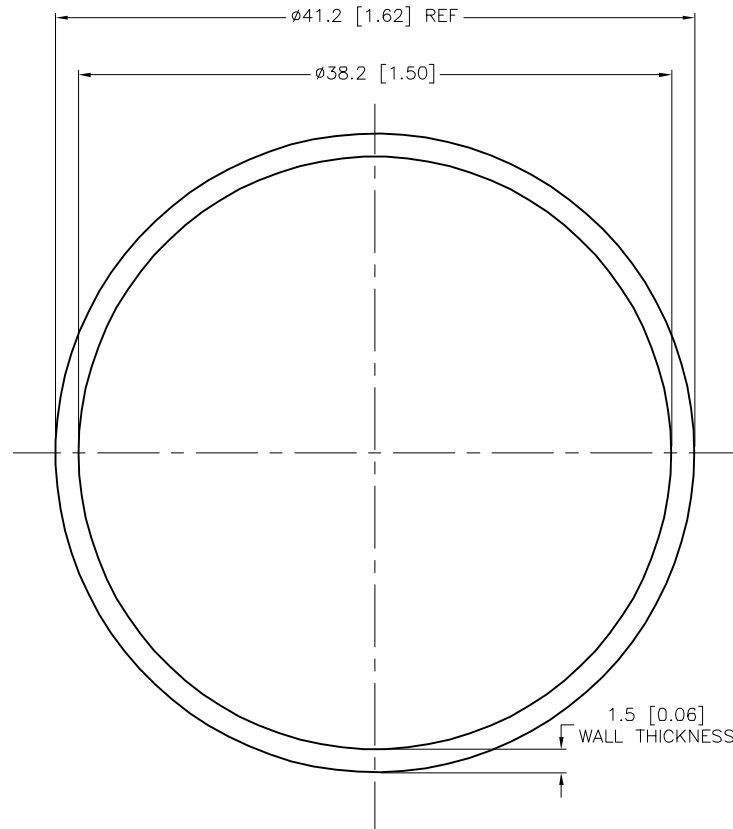


SPECIFICATIONS


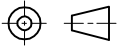
MATERIAL	60 DURO TRANSLUCENT SILICONE RUBBER
TEMPERATURE RATING	232°C (450°F)
TENSILE STRENGTH	1275 PSI
ELONGATION	400%
TEAR STRENGTH, DIE B	100 PPI



SOURCE DRAWING - FOR REFERENCE ONLY

NOTES:

1. 15 METER SPOOL OF SILICONE TUBING.

RELATED DOCUMENTS		3RD ANGLE PROJECTION		THIS DRAWING IS CONFIDENTIAL AND THE PROPERTY OF TURCK INC. USE OF THIS DOCUMENT WITHOUT WRITTEN PERMISSION IS PROHIBITED.		 3000 CAMPUS DRIVE MINNEAPOLIS, MN 55441 1-800-544-7769 (763) 553-7300 (763) 553-0708 fax www.turck.us	
1. 2. 3. 4.				DRFT *CK	DATE 09/01/10	DESCRIPTION	
MATERIAL		ALL DIMENSIONS DISPLAYED ON THIS DRAWING ARE FOR REFERENCE ONLY		APVD	SCALE 1=5	ST ID 1 1/2-INCH-15M	
SEE SPECIFICATIONS		CONTACT TURCK FOR MORE INFORMATION		UNIT OF MEASUREMENT		IDENTIFICATION NO.	
FINISH				MILLIMETER [INCH]		A9643	
SEE SPECIFICATIONS				DO NOT SCALE THIS DRAWING		REV	
						A	
A DRAWING RELEASE		*CK	09/02/10	FILE: A9643		SHEET 1 OF 1	
REV	DESCRIPTION	BY	DATE	ECO NO.			